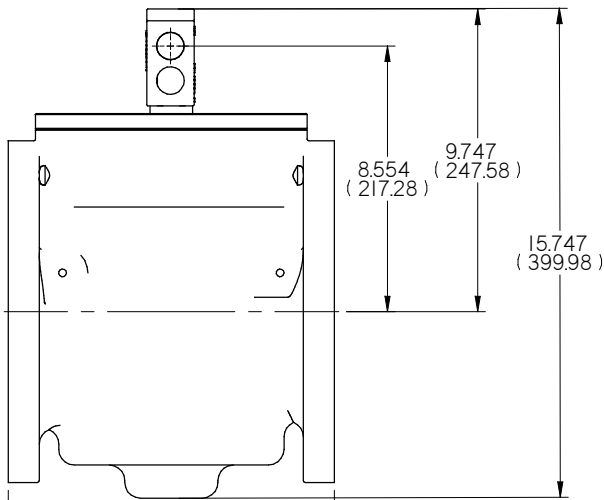
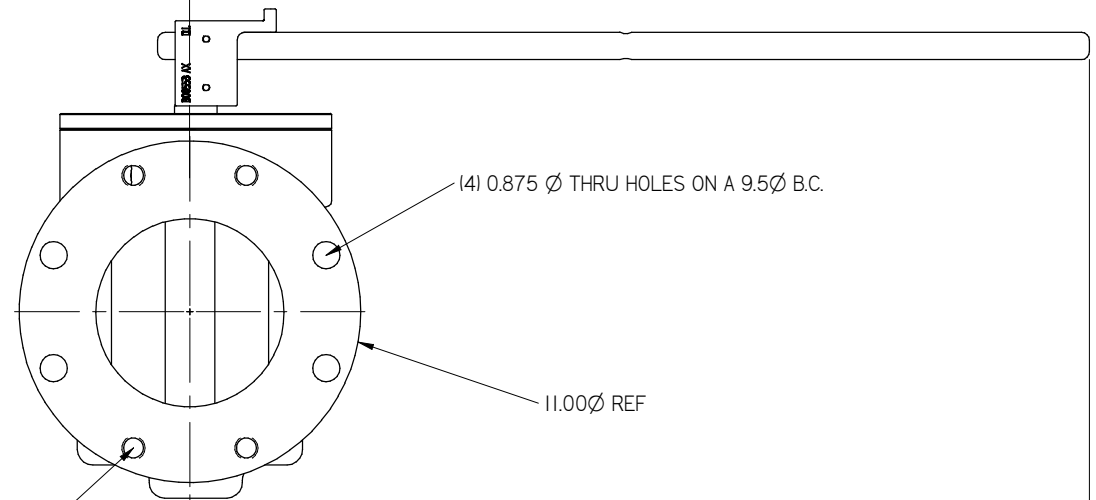


ADJUSTABLE OPEN TO CLOSED STOP



5" valve face to face is 10.00"



(4) 3/4-10 NC X 1.125 TAP ON A 9.5Ø B.C.
ON 5" ALL (8) HOLES ARE TAPPED
3/4-10 NC ON A 8.5 DIA B.C.

INFORMATION CONTAINED HEREIN IS CONFIDENTIAL. IT IS THE PROPERTY OF SOUTHERN MANUFACTURING GROUP, INC. IT IS TO BE USED SOLELY FOR THE PURPOSE PROVIDED, AND IS NOT TO BE DISCLOSED TO OTHERS WITHOUT PRIOR WRITTEN CONSENT OF SOUTHERN MANUFACTURING GROUP, INC.

REV	DESCRIPTION
00112010	INT. CREATED DRAWING

TOLERANCES UNLESS OTHERWISE SPECIFIED		SMG Valves A Unit of Southern Manufacturing Group, Inc. 1925 Manchester Hwy Macon, GA 31204 (706) 851-2222	
X.X	± 0.025	TITLE	5" & 6" KEYPORT VALVE WITH 30" HANDLE
X.XX	± 0.010	DATE	08/11/2010
X.XXX	± 0.005	DWG NO.	A35816
FRACTIONAL	± 1/32	CHECKED BY	E. Griffin
ANGULAR	± 1°	DATE	08/11/2010
		SCALE	1:2
		SZ	D
		MATERIAL	