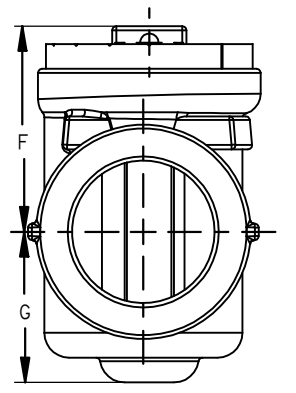
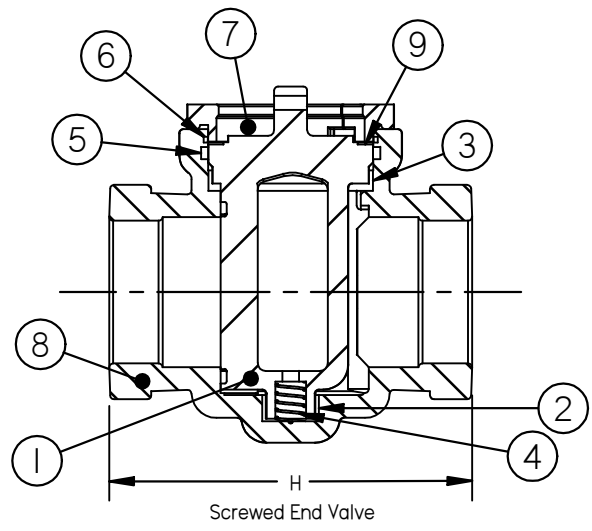
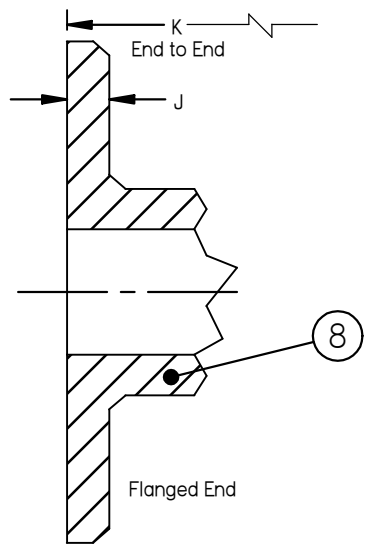
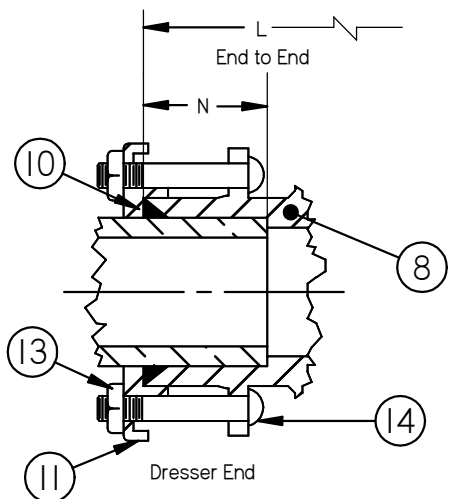


Valve Size	Dimensions Inches / Millimeters												
	A	B	C	D	E	F	G	H	J	K	L	N	P
1/2	4.00 101.6	3.50 88.9	2.62 66.5	.50 12.7	.81 20.6	2.03 51.6	1.25 31.8	3.25 82.6	—	—	—	—	2.12 53.8
3/4	4.00 101.6	3.62 91.9	2.75 69.8	.50 12.7	.81 20.6	2.16 54.9	1.44 36.6	3.75 95.2	—	—	—	—	2.28 57.9
1	6.00 152.4	4.00 101.6	3.00 76.2	.50 12.7	1.12 28.4	2.47 62.7	1.69 42.9	4.25 108.0	—	—	—	—	2.81 71.4
1 1/4	6.00 152.4	4.25 108.0	3.25 82.6	.50 12.7	1.12 28.4	2.72 69.1	1.88 47.8	4.75 120.6	—	—	—	—	3.00 76.2
1 1/2	6.00 152.4	4.38 111.3	3.38 85.9	.50 12.7	1.12 28.4	2.81 71.4	2.00 50.8	5.00 127.0	—	—	—	—	3.19 81.0
2	6.00 152.4	4.75 120.6	3.62 91.9	.50 12.7	1.12 28.4	3.16 80.3	2.31 58.7	5.50 139.7	.62 15.7	7.00 177.8	—	—	3.47 88.1
2 1/2	8.00 203.2	5.50 139.7	4.50 114.3	.50 12.7	1.62 41.1	3.94 100.1	2.88 73.2	6.88 174.8	.69 17.5	7.50 190.5	—	—	4.19 106.4
3	10.00 254.0	5.75 146.0	5.50 139.7	1.44 36.6	1.44 36.6	4.66 118.4	3.25 82.6	7.50 190.5	.75 19.0	8.00 203.2	9.50 241.3	2.50 63.5	4.69 119.1
4	12.00 304.8	6.88 174.8	6.75 171.4	1.59 40.4	1.59 40.4	5.94 150.9	4.25 108.0	9.25 235.0	.94 23.9	9.00 228.6	10.00 254.0	2.50 63.5	6.00 152.4

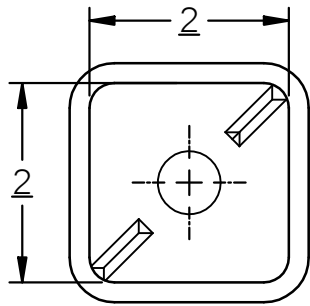
No.	Part Name
1	Plug
2	Bottom Bushing
3	Top Bushing
4	Spring
5	"O" Ring
6	Snap Ring
7	Adjustable Memory Stop
8	Valve Body
9	Washer
10	Gasket
11	Follower
12	Bolt
13	Nut
14	Screw
15	Actuating Nut
16	Actuating Wrench
17	Cap
.	Furnished When Accessories Are Ordered

Drawing Shows Valve in Closed Position

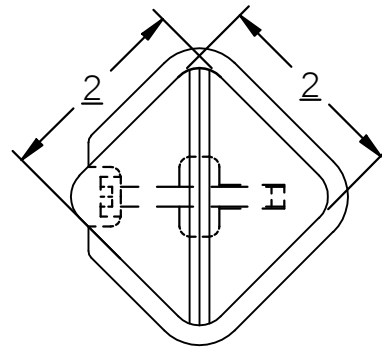
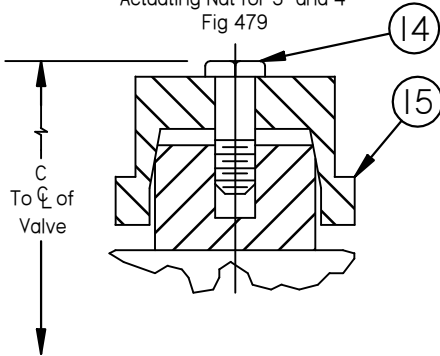


UL Listed

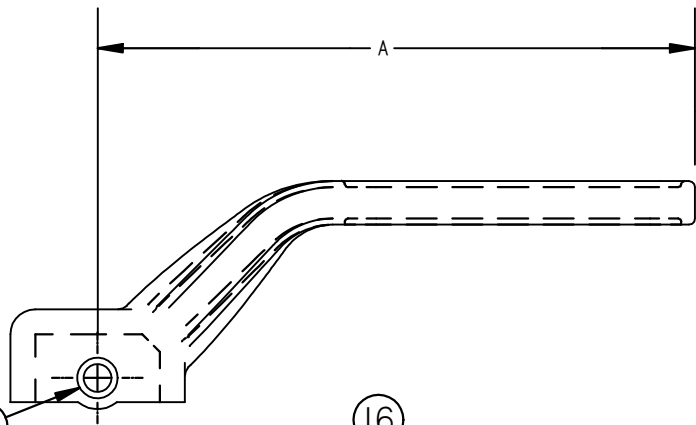
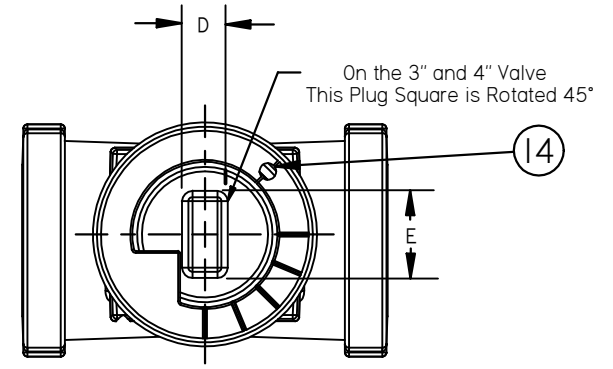
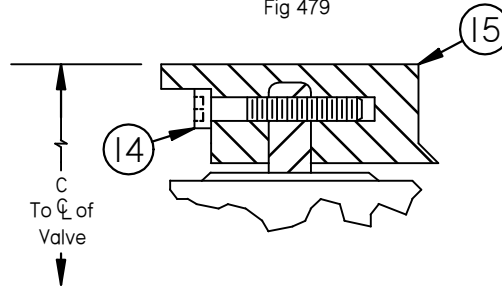
# Key Port Valve®



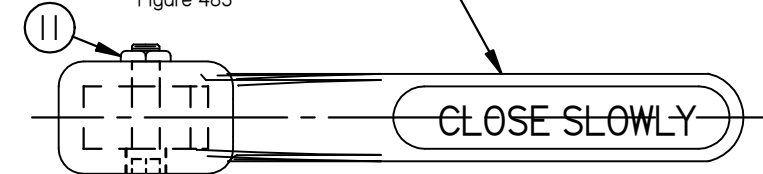
Actuating Nut for 3" and 4"  
Fig 479



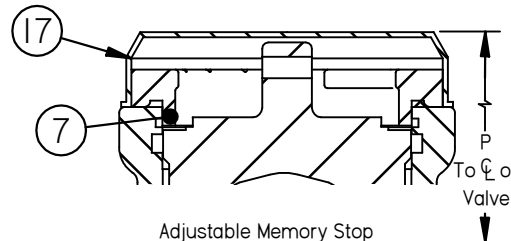
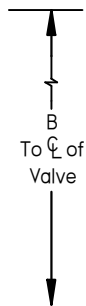
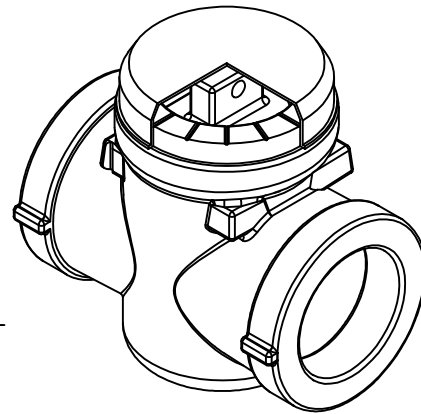
Actuating Nut for 1/2" thru 2 1/2"  
Fig 479



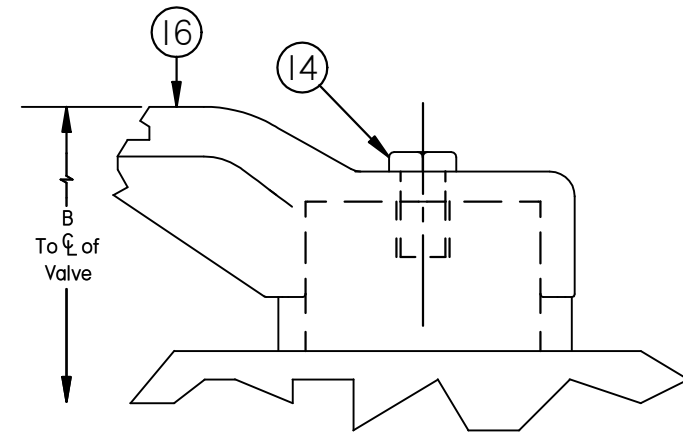
Actuating Wrench for 1/2" thru 2 1/2"  
Figure 483



Actuating Wrench for 3" and 4"  
Figure 483



Adjustable Memory Stop  
and Drip Cap Figure 487



Rev B	9-21-17	TM
Rev A	7-2-14	EG